

# IM-SL60 60W LED Profile Spotlight

IM-SL60 60W LED 成像灯

User Manual  
使用说明书



### Advice before use

Read these instruction carefully.As soon as the equipment is delivered,Open packing and inspect the equipmentCarefully.

If you notice any damage,immediately contact the transport company and register your Complaint in due form listing the defects.

Be sure thatthis equipment left our factouy in perfect condition.

Check if the received equipment is consistent with the delivery notice and if this delivery notice is consistent with your order.If it is not ,immediately contact with you supplier.

### General Remarks

This luminaire is lighting equipment designed for professional use only indoors in theatres and televison or film studios.It must imperatively be connected to earth by means of its earth wire.

To prevent any electrical shock,this equipment should not be opened when functioning. Nevertheless:

Any part or lenses have to be replaced if they are visibly damaged and their efficiency might be reduced,for example in case of deep cracks or scratches.The lamp must be changed if damaged or distorted by heat.If internal access is needed for control,service or repair purposes always refer to qualified personnel.

In all events,always unplug the power supply cable before opening.

It is the user's responsibility to use the luminaire for its intended purpose and to check the euiqment that might be connected to it.

This luminaire is a piece of professional equipment designed for easy and simple use. Nevertheless,always refer to qualified personnel for any installation or repare work.

### Important Remark

Power supply cables and other connections are essential for your equipment and contribute greatly to a safe and trouble free operation.

Always hold the plug when disconnecting a cable,never pull the cable.Never use cables or connectors in bad condition,check them before installation and periodically thereafter.Never tie power supply and data cables together.

### Electrical Connection

This luminaire is designed for operating at a nominal voltage of 230V.It is fitted with a 1.2msilicone power supply cable(3\*1.5mm<sup>2</sup>)

For your own safety,make sure the earth wire(yellow-green)is ALWAYS connected to earth.



**ATTENTION:**

LETHAL VOLTAGE PRESENT INSIDE!

### 提示

使用前请仔细阅读此安全规则。

在该设备已经通过运输到过使用目的地后，请小心打开包装并取出此设备。如发现任何缺损，应立即联系货运公司并按照缺损情况进行投诉。

确认此设备在出厂时为完好无损。

请检查接收到的设备是否与货运单中登记的货物相符，以及货运单中登记货物是否与您的订购的货物相符，如有不符请立即联系您的供货商。

### 总述

此灯具乃专为剧场、电视电影工作间等设计的专业户内照明设备。必须将标记为地线的电线接地线。

不要在此设备运行时打开外壳，以避免被电击。

若在镜片发现明显缺损，应立即更换镜片并降低其功率，比如深刻的裂痕或刮痕。发光体在高热后出现 损坏或扭曲变形应立即更换。需要在灯具内部进行检查、维护、修理等操作时，都应交由专业人士。

一旦出现事故，在打开灯具外壳前应首先拔去电源线插头。

使用者应在此设备规定用途范围内进行操作，并核对设备的线路是否正确连接。

请不要将该灯具置于多变的恶劣环境。

生产商概不承担由于擅自更换其它类型光源而引起的损坏事故责任。

此灯具是一种专业设备，虽设计改良后的操作简单方便，但仍需要专业人士进行安装维护。

### 要点

电源线及其它连接装置对于设备都是很重要的，因其合理安排才导致设备的安全便利运用。

在拔插冰龙时必须用手持插头并拉出，切勿直接拉扯电源线。

切勿在恶劣的环境下使用电源线，在安装前应检测，并在安装后保持周期性的检测。

切勿将电源线及其他信号线扎在一起，以防混淆。

### 电源连接

此灯具适应 230V 的常规电压。并带有 1.2M 硅胶线（1.5 平方）。

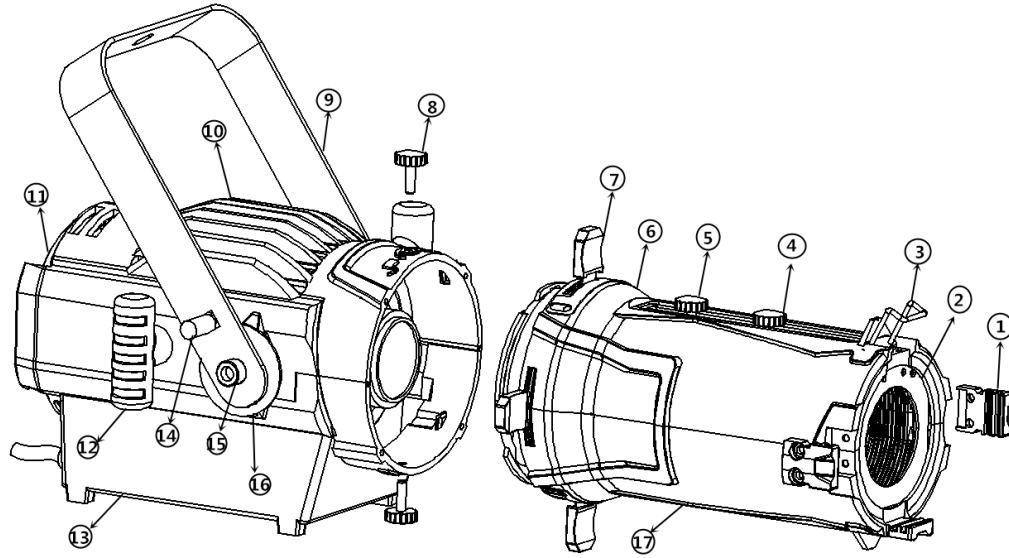
为了使用者的安全，务必保持地线（黄绿色）接地。



**警告:**

内部带危险电压!

Overview 部件名称



- 1.Profile lens tube
- 2.Sunshade
- 3.Color Flake Calipers
- 4.Focus lens 1
- 5.Focus lens 2
- 6.Focus mirror aluminum
- 7.Lighting Adjustment Flake
- 8.M4 bakelite screw
- 9.Handle
- 10.Light emitting part
- 11.back cover
- 12.M6 bakelite
- 13.Power box
- 14.M6 screw
- 15.M6 hexagon socket head screw
- 16.Handle connector
- 17.Focus mirror aluminum

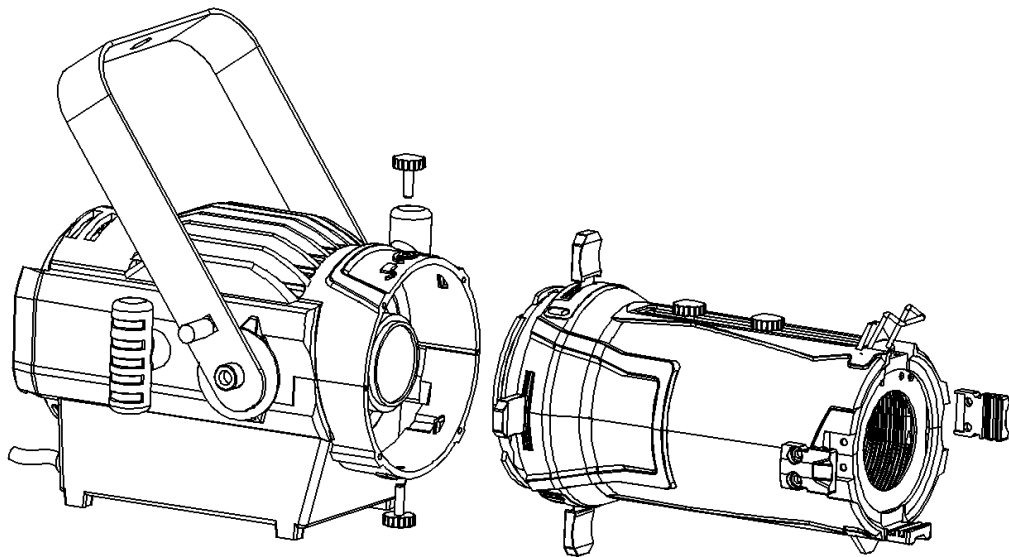
- 1. 脚部
- 2. 遮光圈
- 3.色片扣
- 4. 调焦镜 1
- 5. 调焦镜 2
- 6. 脚部
- 7. 切光片
- 8. M4 电木螺丝
- 9. 提手
- 10. 主体
- 11. 后盖
- 12. M6 内牙电木
- 13. 电源盒
- 14. M6 螺丝
- 15. M6 内六角螺丝
- 16. 提手配合件
- 17. 脚部

Body package Specification 灯体包装明细

Number 序号	Description 名称	Pictures 图形	Units 单位	Quantity 数量
1	Body 灯体		PCS 个	1
2	nstruction manual 使用说明书		PCS 个	1
3				
4				
5				

purchased separately Options 灯体配件另选项

Number 序号	Description 名称	Pictures 图形	Units 单位	Quantity 数量
1	LOGO Clamp 图案夹		PCS 个	1
2	Lights Hook 灯钩		PCS 个	1
3	safely cable 保险绳		PCS 个	1
4				



IM-SL60 is a new light source adopts high density integration of professional imaging light, than the previous generation of imaging light intensity of illumination increased 1.5 times. Can match exactly professional 19° to 40° lens barrel, flare, LOGO image is clear. 3200 k, 5600 k color rendering index greater than 90. Professional for the theater, the theater, television, studio, banquet hall and imaging lamp design.

CX60 是一款采用高密度集成新型光源的专业成像灯，比前一代成像灯的照度提升了1.5倍。可完全匹配专业的19°-40°的镜筒，光斑，LOGO成像都清晰。3200K，5600K显色指数大于90。专业为剧场，剧院，电视台，演播厅，宴会厅而设计的成像灯。

## Use & Operation 使用和操作

### Adjusting 调整

Draw out 4 Lighting Adjustment Flakes⑦, connect the power supply, until the light spots are the brightest, loosen the Nut for the Front Drawtube④、⑤, adjust the Front Drawtube④、⑤ fore and aft until the margin of the light spots are the clearest.

打开4件切光片⑦,连接电源,直到最亮的光点,松开螺母的伸缩管④、⑤,调整前伸缩管④、⑤从头到尾,直到光效最佳为止。

## Design Flake 图案片

If wanting to get the effect of the design, you must firstly make the designflake snowing inverse images. Loosen the nut for the Design Flake Fixed Slot⑦ & then move it forward until the Design Bayonet comes out & then insert the design flake. Turn on the light, adjust the Front Drawtube④、⑤ until getting the clearest design, then fasten the Front Drawtube.

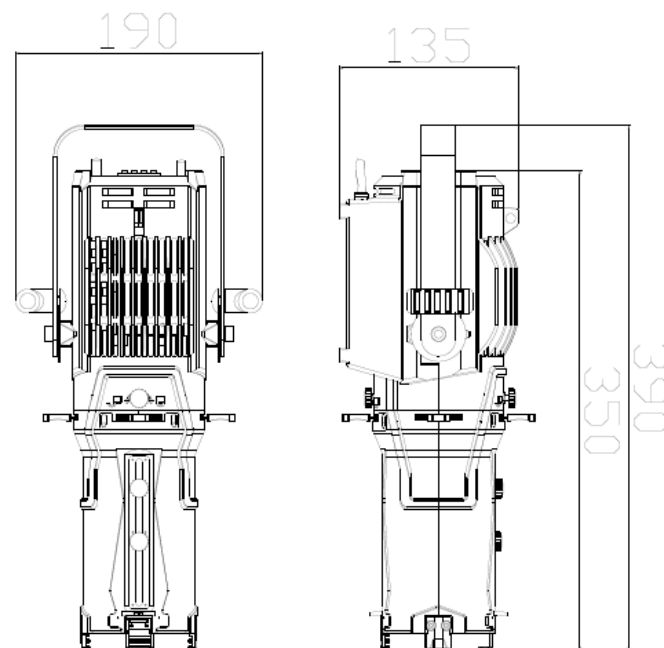
如果想要得到图案的效果，首先必须使图案片的反图像。松开螺母图案片卡槽⑦，然后它向前移动，直到可放入图案夹。取出并插入图案片。不清楚的光，前后调整脚部位置④、⑤，直到获得最清晰的图案，固定好脚部位置。

## Color Flake 色片夹

If wanting colors, please clip the color flake with the color flake clip, open the Color Flake Calipers & then insert the color flake.

如果想要其他颜色，打开色片扣取出色片夹网，把颜色片放入色片夹网夹紧，然后插入色片卡槽内，关上色片扣。

## Dimensions 尺寸图

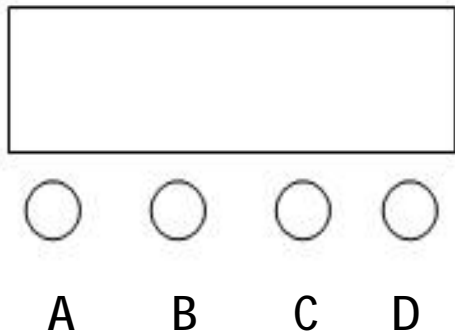


## Rating Specifications 产品规格

型号 Model	60W LED Profile Spotlight
额定功率 Voltage	AC100-230V 50-60HZ SXPL 21K
光源 Luminous	LED3200K/5600K
最高环境温度 Max.Ambient Temperature	<40℃
最高表面温度 Max.Surface Temperature	<85℃
净重 Net Weight	2.6KG
毛重 Gross Weight	3.1KG
度数 Beam angle	19° -30°
控制 Control	DMX512
灯具尺寸 Light size	390*190*135MM
纸箱尺寸 Packing size	480*240*190MM

## Monochrome liquid crystal display (LCD) imaging light instructions schematics section

液晶显示单色成像灯使用说明如下



- A. MENU 菜单
- B. DOWN 减键
- C. UP 加键
- D. ENTER 确定

Instructions: Press function key a to cycle out 8 different function effects. The first two digits of the nixie tube represent the current function (refer to the menu). The last two digits represent the. Address code. Or speed, mode and parameter of the function. Press B or C key to modify the parameter value. Press D to confirm.

操作说明：按功能键 A 会循环出 8 种不同的功能效果，数码管前两位数字代表当前所处的功能（参照功能表）。后两位数字代表该种功能所处的.地址码.或速度,模式、的参数。按 B 或 C 键即可修改其参数值。按 D 键确认即可。

1. Digital display window function comparison table: (press to select all the functions, then press D to confirm saving)

1. 数码显示窗功能对照表：（所有的功能按选定后再按 D 键确认保存即可）

1	d001	1 channel B. C key plus / minus address code value (001-512) 1 通道 B. C 键加减地址码数值 (001-512)
2	d. 001	2-channel B. C key plus / minus address code value (001-512) 2 通道 B. C 键加减地址码数值 (001-512)
3	CC01	Jump function B. C key addition and subtraction value (01-99) 跳变功能 B. C 键加减数值 (01-99)
4	CP01	Gradient function B. C key addition and subtraction value (01-99) 渐变功能 B. C 键加减数值 (01-99)
5	dE01	Pulse function B. C key addition and subtraction value (01-99) 脉变功能 B. C 键加减数值 (01-99)
6	dENo	Jump + gradual change + pulse change function 跳变+渐变+脉变功能
7	bEbE	Voice control function jump + gradual change + pulse change 声控功能 跳变+渐变+脉变
8	r255	White light manual dimming 白光手动调光

2.Introduction of dmx1 channel function (. 1ch)

2.DMX1 通道功能介绍 (.1CH) :

Channel 通道	Function 功能	Control 功能控制
CH1	White brightness 白光亮度	0: OFF 关闭 1-255 Dimming 调光

3、Introduction of dmx2 channel function (. 2ch)

3、DMX2 通道功能介绍 (.2CH)

Channel 通道	Function 功能	Control 功能控制
CH1	White brightness 白光亮度	0: OFF 关闭 1-255 Dimming 调光
CH2	Stroboscopic effect 频闪效果	0-9: OFF 关闭 10-255 From slow to fast 由慢到快

Product features 产品特点

60W warm white 3200K

