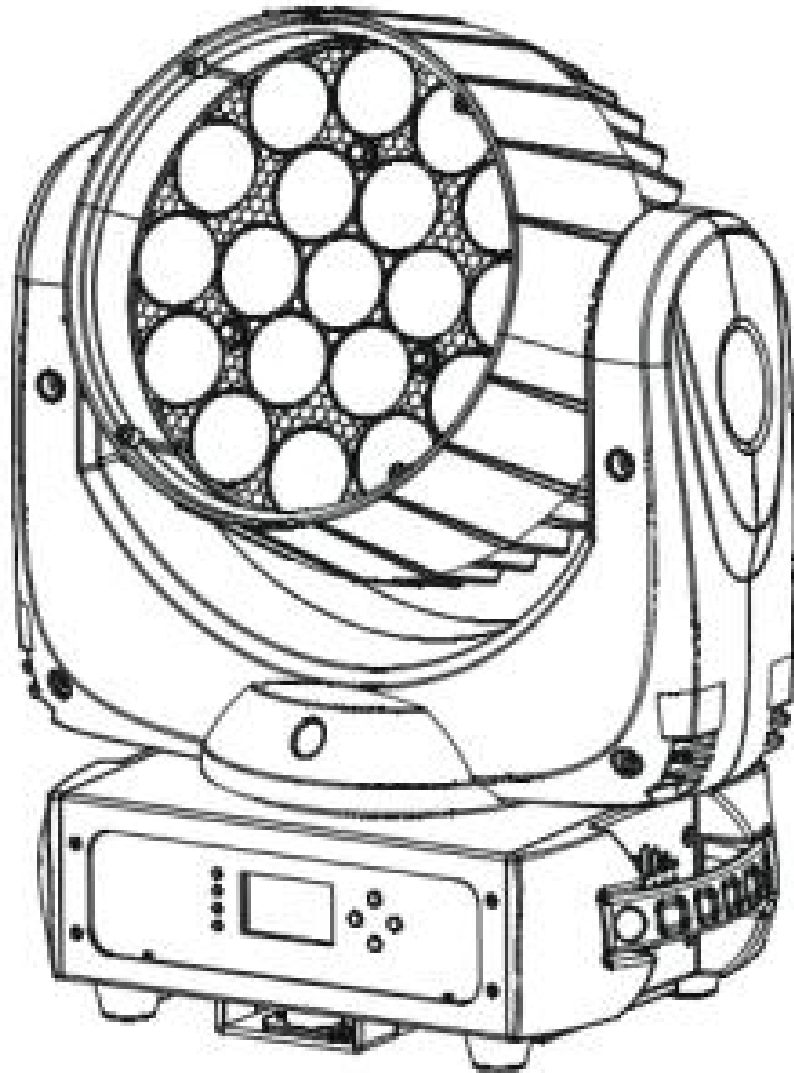


19x15W MOVING HEAD ZOOM LIGHT



User Manual

Professional Entertainment Technology

WARNING



WARNING

Please read carefully the instruction, which includes important information about the installation, usage and maintenance.

Please keep this User Guide for future consultation. If you sell the unit to another user, be sure that they also receive this instruction booklet.

Unpack and check carefully there is no transportation damage before using the unit. Before operating, ensure that the voltage and frequency of power supply match the power requirements of the unit.

It's important to ground the yellow/green conductor to earth in order to avoid electric shock.

The unit is for indoor use only. Use only in a dry location.

The unit must be installed in a location with adequate ventilation, at least 50cm from adjacent surfaces. Be sure that no ventilation slots are blocked.

Disconnect main power before replacement or servicing.

Make sure there are no flammable materials close to the unit while operating as it is fire hazard.

Use safety cable when fixes this unit. DO NOT handle the unit by taking its head only, but always by taking its base.

Maximum ambient temperature is $T_a: 40^{\circ}\text{C}$. DO NOT operate it where the temperature is higher than this.

Unit surface temperature may reach up to 85°C . DO NOT touch the housing bare-hand during its operation. Turn off the power and allow about 15 minutes for the unit to cool down before replacing or serving.

In the event of serious operating problem, stop using the unit immediately. Never try to repair the unit by yourself. Repairs carried out by unskilled people can lead to damage or malfunction. Please contact the nearest authorized technical assistance center. Always use the same type spare parts.

DO NOT touch any wire during operation as high voltage might be causing electric shock. Please read carefully the instruction, which includes important information about the installation, usage and maintenance.

Installation

The unit should be mounted via its screw holes on the bracket. Always ensure that the unit is firmly fixed to avoid vibration and slipping while operating. And make sure that the structure to which you are attaching the unit is secure and is able to support a weight of 10 times of the unit's weight. Also always use a safety cable that can hold 12 times of the weight of the unit when installing the fixture.

The equipment must be fixed by professionals. And it must be fixed at a place where is out

of the touch of people and has no one pass by or under it.

1. Product Specifications

Voltage: AC90-240v, 50-60Hz

Power consumption: 350W Max.

Light source: 19pcs 15w 4in1 LEDs

DMX Channel: 16/24CH

Control Mode: DMX512/Master-slave/Sound/Auto

Movement: Pan 540 degrees Tilt 270 degrees

Strobe: 1-25 times/sec or random

Display : LCD display

2. LCD Display Setting

2.1 DMX Setting

This function is used to set the DMX address and channel modes, press "Enter" to get into setting window, press "UP" or "DOWN" to increase or reduce value, then press "Enter" again to save and exit. It has two optional channel modes: 16CH and 24CH.

2.2 Run Mode Setting

This function is used to set working mode. Press "Enter" to get into the setting window and press "UP" or "DOWN" to select the working modes as "DMX512", "Slow" and "Fast", "Sound" and "Manual", select one of them and pressing "Enter" to save and exit.

DMX512: Controller operation mode.

Slow: Slow-speed auto-run mode

Fast: Fast-speed auto-run mode

Sound: Sound activated auto-run mode

Manual: Manual mode (Slave)

2.3 PAN/Tilt Invert Setting

This function is for reversing the directly of Pan and Tilt, press "Enter" to get into the setting window, press "UP" or "DOWN" to choose from "YES" and "NO" to select the direction, press "Enter" to save and exit.

2.4 Display Setting

This function is to switch the backlight of LCD display panel, as well as invert words and switch English/Chinese language. Press "Enter" to enter into setting window. Press "UP" or "DOWN" to select. Choose "YES" to keep backlight always on, or it'll turn off automatically after 20 seconds without an operation. After that, press "Enter" to save and exit.

2.5 Manual Setting

This function is used to set parameters. It's only valid when run mode is set as Manual Mode. Then, press "Enter" to save and exit.

Manual Setting Menu	Function
PAN	Pan position
PANMICO	Pan fine

TILT	Tilt position
TILTMICO	Tilt fine
XY_SPEED	Pan & Tilt speed
ZOOM	Zoom
DIM	Master dimmer
STROBE	Strobe
DIM_R0	Group 1 red dimmer
DIM_G0	Group 1 green dimmer
DIM_B0	Group 1 blue dimmer
DIM_W0	Group 1 white dimmer
DIM_R1	Group 2 red dimmer
DIM_G1	Group 2 green dimmer
DIM_B1	Group 2 blue dimmer
DIM_W1	Group 2 white dimmer
DIM_R2	Group 3 red dimmer
DIM_G2	Group 3 green dimmer
DIM_B2	Group 3 blue dimmer
DIM_W2	Group 3 white dimmer
LIGHT_CH	Built-in light show
SHOW_SP	Light show speed
MACRO_CH	Macro control

2.6 Sound Sence

This function is to adjust the sensitivity of sound active mode. Press “Enter” to get into setting window, press “UP” and “DOWN” to adjust the sensitivity from 0 to 100. Then press “Enter” to save and exit.

2.7 System Setting

System information

The Version: V1

PAN Reset:Normal/Wrong

TILT Reset: Normal/Wrong

Default Settings: Restore factory setting

Code Setting: Password(DOWN DOWN UP UP)

The above password is required for checking and setting X/Y Fine and White Balance.

Setting Menu	Function
PAN_INIT	Pan fine
TILT_INIT	Tilt fine
SET_R	Red current
SET_G	Green current
SET_B	Blue current
SET_W	White current

2.8 Reset

Press "ENTER" to confirm the "RESET" function, the device will be reset after 3 seconds.

3. DMX512 Channel Modes

24CH Mode

24CH	Function	Value	Description
1	X	0-255	0~540°
2	X fine	0-255	16bit Adjustable
3	Y	0-255	0~270°
4	Y fine	0-255	16bit Adjustable
5	XY speed	0-255	Speed from fast to slow
6	Zoom	0-255	
7	Master Dimmer	0-255	Linear dimmer from dark to light
8	Strobe	0-3	None function
		4-95	Strobe speed from slow to fast (1~25hz)
		96-176	Random strobe
		177-255	Thunder strobe
9	R1 Dimmer	0-255	Group 1 red from dark to light
10	G1 Dimmer	0-255	Group 1 green from dark to light
11	B1 Dimmer	0-255	Group 1 blue from dark to light
12	W1 Dimmer	0-255	Group 1 white from dark to light
13	R2 Dimmer	0-255	Group 2 red from dark to light
14	G2 Dimmer	0-255	Group 2 green from dark to light
15	B2 Dimmer	0-255	Group 2 blue from dark to light
16	W2 Dimmer	0-255	Group 2 white from dark to light
17	R3 Dimmer	0-255	Group 3 red from dark to light
18	G3 Dimmer	0-255	Group 3 green from dark to light
19	B3 Dimmer	0-255	Group 3 blue from dark to light
20	W3 Dimmer	0-255	Group 3 white from dark to light
21	Effect display (Set CH23 as 50-99)	0-24	Built-in effect 1
		25-49	Built-in effect 2
		50-74	Built-in effect 3
		75-99	Built-in effect 4
		100-124	Built-in effect 5

		125-149	Built-in effect 6
		150-174	Built-in effect 7
		175-199	Built-in effect 8
		200-224	Built-in effect 9
		225-255	Built-in effect 10
22	Effect speed	0-255	From fast to slow
23	Macro function	0-49	None function
		50-99	Effect display (built-in effect of CH21)
		100-149	Auto run 1
		150-199	Auto run 2
		200-255	Sound control
24	Reset	0-250	None function
		251-255	Reset after 3s

16H Mode

16CH	Function	Value	Description
1	X	0-255	0~540°
2	X fine	0-255	16bit Adjustable
3	Y	0-255	0~270°
4	Y fine	0-255	16bit Adjustable
5	XY speed	0-255	Speed from fast to slow
6	Master Dimmer	0-255	Linear dimming from dark to light
7	Strobe	0-3	None function
		4-95	Strobe speed from slow to fast (1~25hz)
		96-176	Random strobe
		177-255	Thunder strobe
8	R Dimmer	0-255	Red dimmer from dark to light.
9	G Dimmer	0-255	Green dimmer from dark to light.
10	B Dimmer	0-255	Blue dimmer from dark to light.
11	W Dimmer	0-255	White dimmer from dark to light.
12	Zoom	0-255	
13	Effect display (Set CH15 as 50-99)	0-24	Built-in effect 1
		25-49	Built-in effect 2
		50-74	Built-in effect 3
		75-99	Built-in effect 4
		100-124	Built-in effect 5
		125-149	Built-in effect 6
		150-174	Built-in effect 7

		175-199	Built-in effect 8
		200-224	Built-in effect 9
		225-255	Built-in effect 10
14	Effect speed	0-255	From fast to slow
15	Macro function	0-49	None function
		50-99	Effect display (built-in effect of 13CH)
		100-149	Auto run 1
		150-199	Auto run 2
		200-255	Sound control
16	Reset	0-250	None function
		251-255	Reset after 3s

All information is subject to change without prior notice.

More info please visit: www.imrelax.com