

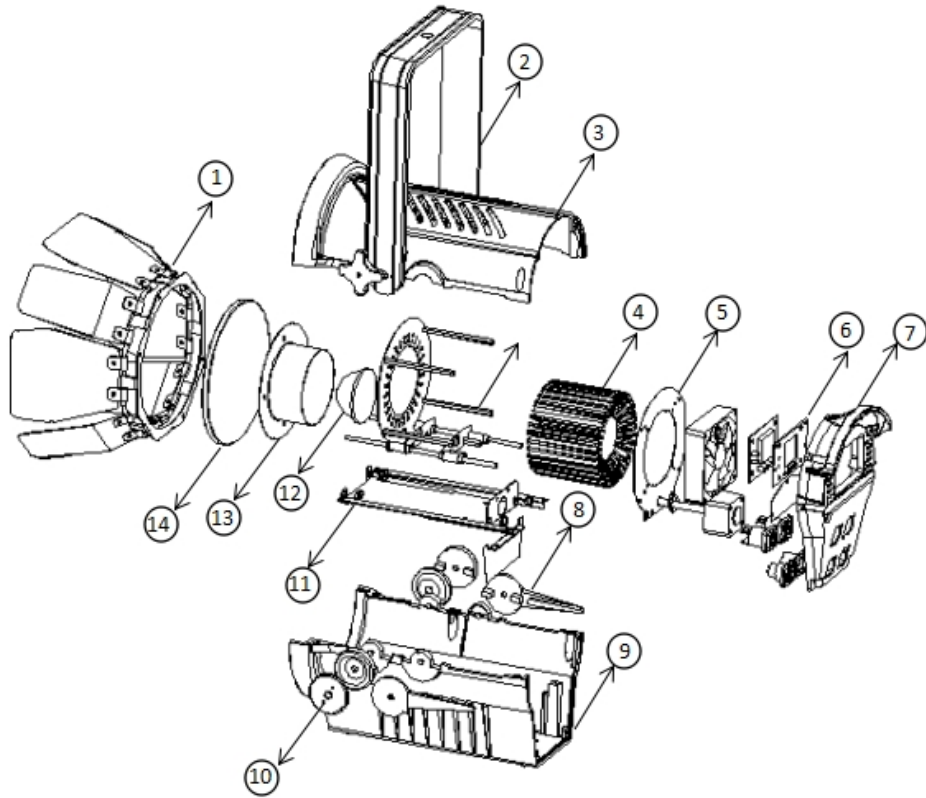
200W LED Spotlight

200W LED 聚光灯

Instruction manual
使用说明书



Overview 部件名称



- | | |
|--------------------------------|------------|
| 1.Barndoor | 1. 挡光叶套件 |
| 2.Handle | 2. 提手 |
| 3.Cast.aluminum upper cover | 3. 铸铝上盖 |
| 4.radiator | 4. 散热器 |
| 5.Fan fixing support | 5. 风机固定支架 |
| 6.Display board fixing bracket | 6. 显示板固定支架 |
| 7.Cast aluminum back cover | 7. 铸铝后盖 |
| 8.Cast aluminum parts | 8. 铸铝配件 |
| 9.Cast aluminum base | 9. 铸铝底座 |
| 10.Handle accessories | 10. 提手配合件 |
| 11.Focusing base plate | 11. 调焦版金 |
| 12.Convex lens | 12. 非球面透镜 |
| 13.Aluminum light receiver | 13. 收光筒 |
| 14.175mm dia threaded mirror | 14. 螺纹镜 |

Rating Specifications 产品规格

输入电压: AC100-240V, 50-60Hz

额定功率: 200W

光源: 进口 200W COB

色温: 3200K/5600K 可选

显指: ≥ 90

散热: 风机散热

灯珠寿命: 50000h

调光: 0-255, 0%-100%线性调光

光学材料: 玻璃螺纹聚光镜

光学角度: 15° - 40°

防护等级: IP20

控制模式: 国际标准 DMX512 信号、自走、主从

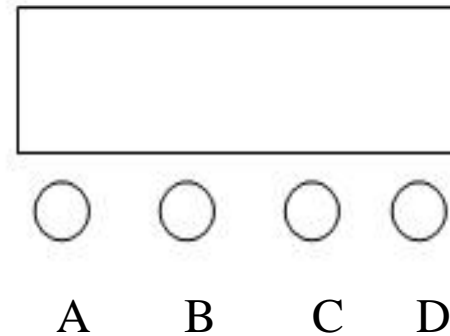
通道数量: 3 个 DMX 通道

产品尺寸: $370 \times 270 \times 450\text{mm}$ (L×W×H)

产品净重: 6.5kg

Monochrome liquid crystal display (LCD) imaging light instructions schematics section

液晶显示单色成像灯使用说明如下



- | | |
|----------|----|
| A. MENU | 菜单 |
| B. DOWN | 减键 |
| C. UP | 加键 |
| D. ENTER | 确定 |

Instructions: according to the function keys A cycle of different function, press B or C can modify the parameter values. Press the D key to confirm.

操作说明: 按功能键 A 会循环出不同的功能, 按 B 或 C 键即可修改其参数值。按 D 键确认即可。

1. LCD keypad operation instructions

1、液晶按键板操作说明

| serial number 序号 | MENU 菜单 | The menu features 菜单功能 | Introductions 说明 |
|---------------------|-----------------|---|--|
| 1 | DMX-ADDR 001 | DMX512 address code setting 001 DMX512 地址码设置 001 | Press the up and down key to adjust address code, according to determine the key. 按上下键调节地址码, 按确定键保存。 |
| 2 | L-DIMMER 255 | LED brightness control 255 LED 亮度调节 255 | According to the up and down keys to adjust the LED brightness, save according to determine the key. 按上下键调节 LED 亮度, 按确定键保存。 |
| 3 | P-STROBE 255 | Stroboscopic speed regulation 255 频闪快慢调节 | Press up and down key to adjust stroboscopic speed, (0-127) pulse stroboscopic from slow to fast (128-255). OK key to save. 按上下键调节频闪速度, 按确定键保存。 |
| 4 | DMX-KEEP ON/OFF | DMX signal choice DMX 信号保持选择 | According to choose whether to keep up and down key, according to determine the key to save. 按上下键选择是否保持, 按确定键保存。 |
| 5 | BK-LIGHT ON/OFF | Backlight switch selection. 背光开关选择。 | Press up and down to select the backlight screen saver. OK key to save. 按上下键选择背光屏保。 |

| | | | |
|---|----------|---|---|
| | | | 确定键保存。 |
| 6 | Now Temp | Lamp bead temperature display. 灯珠温度显示。 | Display the current working temperature of the lamp bead. 显示灯珠当前工作温度。 |

1. The DMX512 channel DMX512 通道说明

| serial number 序号 | Function 功能 | Introductions 说明 |
|---------------------|----------------|--|
| 1channel 第一通道 | Dimmer 调光 | (0-255) LED dimming, linear dimming, from dark to bright (0-255) LED 调光, 线性调光, 由暗到亮 |
| 2channel 第二通道 | Strobe 频闪 | (0-127) pulse stroboscopic from slow to fast (128-255). (0-127) 脉冲频闪由慢到快; (128-255) 爆闪频闪由快到慢。 |

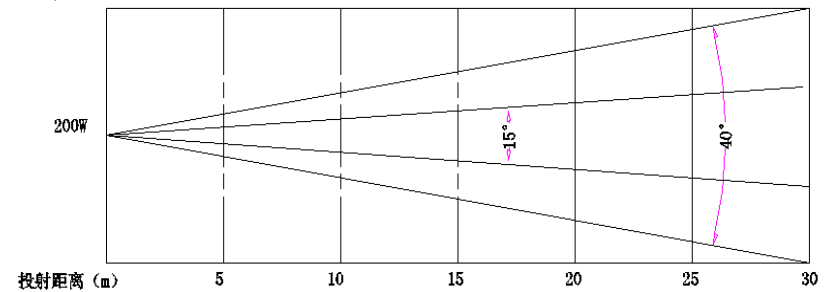
In address code state, multimachine connection, without control table, which can realize the master-slave online features, operation of a device, the rest in address d001 state of the host device synchronized with the running program. Through to control if receives the control table, behind the podium display X become V, the address in the state of equipment can be controlled to control.

在地址码状态, 多机连接后, 若没有接控台, 可实现主从联机功能, 操作其中的一台设备, 其余的在地址 d001 状态下的设备跟随主机同步运行程序。接通控台后若接收到控台信号, 显示屏的 X 会变成 V, 在地址状态下的设备可受控台控制。

Product features 产品特点

200W warm white 3200K

| | | | | | | |
|--------------|------|------|-----|-----|-----|-----|
| 40° 光照度 (Lx) | 3160 | 775 | 348 | 200 | 129 | 91 |
| 15° 光照度 (Lx) | 4220 | 1023 | 450 | 240 | 165 | 115 |

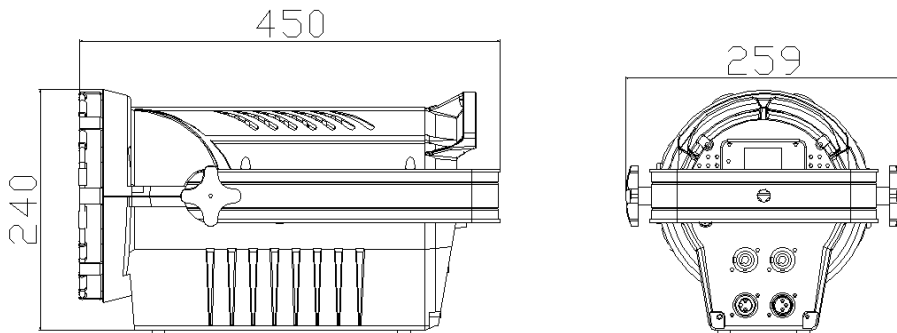






JG200 is a professional spotlight with high-density integrated new light source, which is 1.5 times higher than the previous generation spotlight. The light spot is even and clear when it is zoomed in and out. 3200K, 5600k color rendering index is greater than 90. It is a spotlight designed for theater, theater, TV station, studio and banquet hall.

JG200 是一款采用高密度集成新型光源的专业聚光灯，比前一代聚光灯的照度提升了1.5倍。灯光光斑放大缩小都均匀清晰。3200K，5600K 显色指数大于90。专业为剧场，剧院，电视台，演播厅，宴会厅而设计的聚光灯。



Dimensions 尺寸图



Body package Specification 灯体包装明细

| Number 序号 | Description 名称 | Pictures 图形 | Units 单位 | Quantity 数量 |
|--------------|----------------------------|---|-------------|----------------|
| 1 | Body 灯体 | | PCS 个 | 1 |
| 2 | Power Cord 电源线 |  | PCS 个 | 1 |
| 3 | Signal Cords 信号线 |  | PCS 个 | 1 |
| 4 | nstruction manual 使用说明书 | | PCS 个 | 1 |
| | | | | |

purchased separately Options 灯体配件另选项

| Number 序号 | Description 名称 | Pictures 图形 | Units 单位 | Quantity 数量 |
|--------------|---------------------|---|-------------|----------------|
| 1 | Lights Hook 灯钩 |  | PCS 个 | 1 |
| 2 | safely cable 保险绳 |  | PCS 个 | 1 |
| | | | | |
| | | | | |

Advice before use

Read these instruction carefully.As soon as the equipment is delivered,Open packing and inspect the equipmentCarefully.

If you notice any damage,immediately contact the transport company and register your Complaint in due form listing the defects.

Be sure thatthis equipment left our factouy in perfect condition.

Check if the received equipment is consistent with the delivery notice and if this delivery notice is consistent with your order.If it is not ,immediately contact with you supplier.

General Remarks

This luminaire is lighting equipment designed for professional use only indoors in theatres and televison or film studios.It must imperatively be connected to earth by means of its earth wire.

To prevent any electrical shock,this equipment should not be opened when functioning.

Nevertheless:

Any part or lenses have to be replaced if they are visibly damaged and their efficiency might be reduced,for example in case of deep cracks or scratches.The lamp must be changed if damaged or distorted by heat.If internal access is needed for control,service or repair purposes always refer to qualified personnel.

In all events,always unplug the power supply cable before opening.

It is the user's responsibility to use the luminaire for its intended purpose and to check the equipment that might be connected to it.

This luminaire is a piece of professional equipment designed for easy and simple use.

Nevertheless,always refer to qualified personnel for any installation or repare work.

Important Remark

Power supply cables and other connections are essential for your equipment and contribute greatly to a safe and trouble free operation.

Always hold the plug when disconnectiong a cable,never pull the cable.Never use cables or connectors in bad condition,check them before installation and periodically thereafter.Never tie power supply and data cables together.

Electrical Connection

This luminaire is designed for operating at a nominal voltage of 230V.It is fitted with a 1.2msilicone power supply cable(3*1.5mm²)

For your own safety,make sure the earth wire(yellow-green)is ALWAYS connected to earth.



ATTENTION:

LETHAL VILTAGE PRESENT INSIDE!

提示

使用前请仔细阅读此安全规则。

在该设备已经通过运输到过使用目的地后，请小心打开包装并取出此设备。

如发现任何缺损，应立即联系货运公司并按照缺损情况进行投诉。

确认此设备在出厂时为完好无损。

请检查接收到的设备是否与货运单中登记的货物相符，以及货运单中登记货物是否与您的订购的货物相符，如有不符请立即联系您的供货商。

总述

此灯具乃专为剧场、电视电影工作间等设计的专业户内照明设备。必须将标记为地线的电线接地线。

不要在此设备运行时打开外壳，以避免被电击。

若在镜片发现明显缺损，应立即更换镜片并降低其功率，比如深刻的裂痕或刮痕。发光体在高热后出现 损坏或扭曲变形应立即更换。需要在灯具内部进行检查、维护、修理等操作时，都应交由专业人士。

一旦出现事故，在打开灯具外壳前应首先拔去电源线插头。

使用者应在此设备规定用途范围内进行操作，并核对设备的线路是否正确连接。

请不要将该灯具置于多变的恶劣环境。

生产商概不承担由于擅自更换其它类型光源而引起的损坏事故责任。

此灯具是一种专业设备，虽设计改良后的操作简单方便，但仍需要专业人士进行安装维护。

要点

电源线及其它连接装置对于设备都是很重要的，因其合理安排才导致设备的安全便利运用。

在拔插冰龙时必须用手持插头并拉出，切勿直接拉扯电源线。

切勿在恶劣的环境下使用电源线，在安装前应检测，并在安装后保持周期性的检测。

切勿将电源线及其他信号线扎在一起，以防混淆。

电源连接

此灯具适应 230V 的常规电压。并带有 1.2M 硅胶线（1.5 平方）。

为了使用者的安全，务必保持地线（黄绿色）接地。



警告:

内部带危险电压!