



300W LED Beam Spot Zoom (IM-LED300)



User Manual

PLEASE KEEP THIS MANUAL FOR FUTURE NEEDS



1. Unpacking

Thank you for choosing our products. For your own safety, please read this manual before installing the device. This manual covers the important information on installation and applications. Please install and operate the fixture with following instructions, make sure the power is off before opening the light or repairing. Meanwhile, please keep this manual well for future needs.

It is made of a new type of high temperature strength of engineering plastics and cast aluminum casing with nice outlook. The fixture is designed and manufactured strictly following CE standards, complying with international standard DMX512 protocol. It's available independently controlled and linkable with each other for operation. And it is applicable for large-scale live performances, theater, studio, nightclubs and discos.

300W spot pro fixture which features high brightness and stability. Please carefully unpack it when you receive the fixture and check whether it is damaged during the transportation. And please check whether the following items are included inside the box:

Moving head-----One

DMX signal cable ----- One

Power cable-----One

User manual----- One

Omega bracket----Two

Safety cable -----One

2. Safety Instructions

This device has left the factory in perfect condition. In order to maintain this condition and to ensure a safe operation, it is absolutely necessary for the user to follow the safety instructions and warning notes written in this user manual.



Important:

Damages caused by the disregard of this user manual are not subject to warranty. The dealer will not accept liability for any resulting defects or problems.

If the device has been exposed to temperature changes due to environmental changes, do not switch it on immediately. The arising condensation could damage the device. Leave the device switched off until it has reached room temperature.

This device falls under protection-class I. Therefore it is essential that the device be earthed.

The electric connection must carry out by qualified person.

The device shall only be used with rate voltage and frequency.

Make sure that the available voltage is not higher than stated at the end of this manual.

Make sure the power cord is never crimped or damaged by sharp edges. If this would be the case, replacement of the cable must be done by an authorized dealer.

Always disconnect from the mains, when the device is not in use or before cleaning it. Only handle the power cord by the plug. Never pull out the plug by tugging the power cord.

During initial start-up some smoke or smell may arise. This is a normal process and does not necessarily mean that the device is defective, it should decrease gradually.

Please don't project the beam onto combustible substances.

Fixtures cannot be installed on combustible substances, keep more than 50cm distance with wall for smooth air flow, so there should be no shelter for fans and ventilation for heat radiation.

If the external flexible cable or cord of this luminaire is damaged, it shall be exclusively replaced by the manufacturer or his service agent or a similar qualified person in order to avoid a hazard

3.Key Features

Voltage: AC100-240V,50-60Hz

Power: 300W

Led source: 280W White LED

Color Temperature: 7500K

Led Life Time: Average 50000 Hours

Channel: 18 DMX channel

Control: DMX/Master-slav/Auto/Sound activated

Pan: 540 degree + fine Tilt: 270 degree + fine

Zoom range: 7-21°

Dimmer: 0-100% smooth linear dimmer

Strobe: 1-25 Hz with pulse effect

Color Wheel: 9 colors + open, with half color effect

Static Gobo Wheel: 9 gobos + open, with rotation and running water effect

Rotation gobo wheel: 7 gobos+open

Prism: 4 facet prism+6 facet prism with bi-direction rotating

Screen: LCD screen with Chinese and English, can adjust 180 degree to fit different installation position

4.Operation Instructions

-The moving head is for beam wash spot purpose.

-Don't turn on the fixture if it's been through severe temperature difference like after transportation because it might damage the light due to the environment changes. So make sure to operate the fixture until it is in normal temperature.

-This light should be keep away from strong shaking during any transportation or movement.

-Don't pull up the light by only the head, or it might cause damages to the mechanical parts.

-Don't expose the fixture in overheat, moisture or environment with too much dust when installing it. And don't lay any power cables on the floor. Or it might cause electronic shock to the people.

-Make sure the installation place is in good safety condition before installing the fixture.

-Make sure to put the safety chain and check whether the screws are screwed properly when installing the fixture.

-Make sure the lens are in good condition. It's recommended to replace the units if there are any damages or severe scratch.

-Make sure the fixture is operated by qualified personnel who knows the fixture before using.

-Keep the original packages if any second shipment is needed.

-Don't try to change the fixtures without any instruction by the manufacturer or the appointed repairing agencies.

-It is not in warranty range if there are any malfunctions from not following the user manual to operate or any illegal operation, like shock short circuit, electronic shock, lamp broke, etc.

5. Mounting and Installation

Cautions: For added protection mount the fixtures in areas outside walking paths, seating areas, or in areas were the fixture might be reached by unauthorized personnel.

Before mounting the fixture to any surface, make sure that the installation area can hold a minimum point load of 10 times the device's weight.

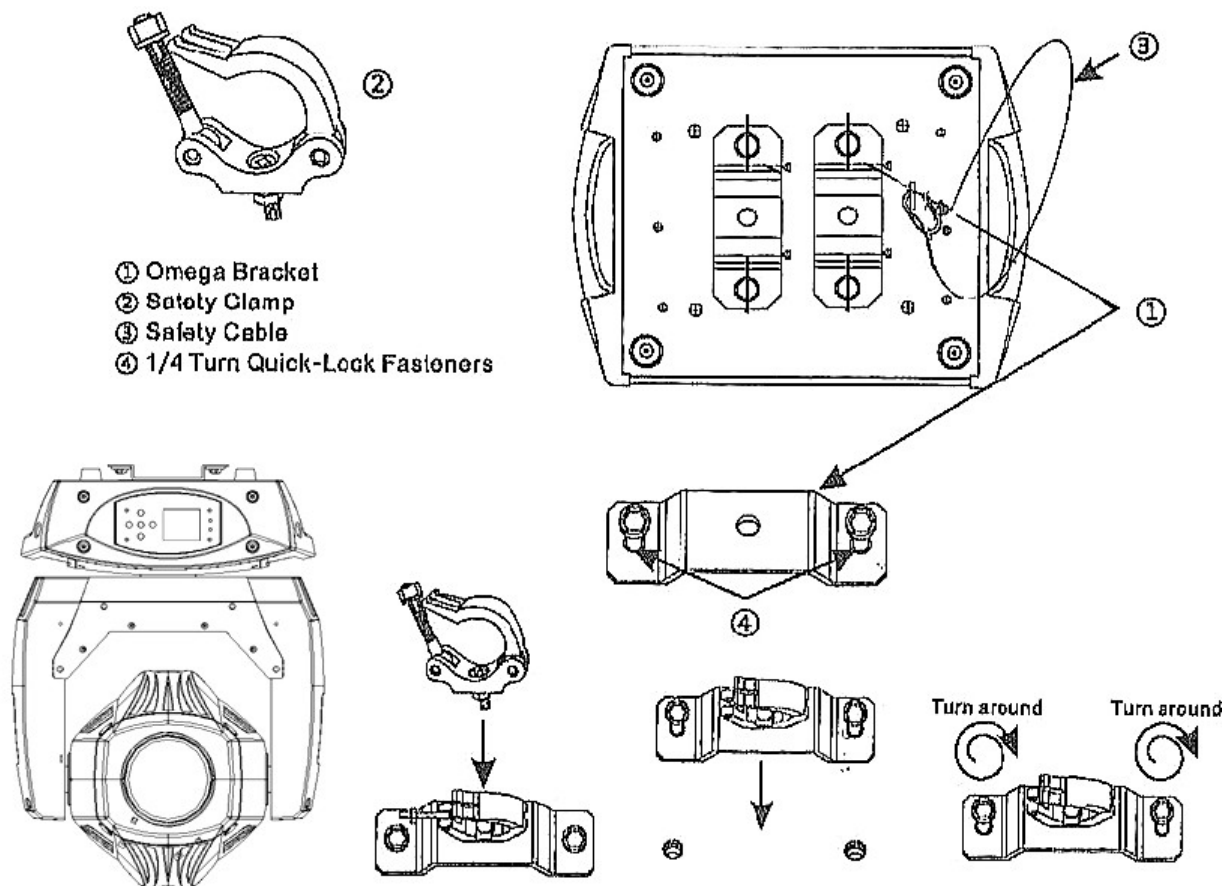
Fixture installation must always be secured with a secondary safety attachment, such as an appropriate safety cable.

Never stand directly below the device when mounting, removing, or servicing the fixture from a

periodic safety inspection of all installation material and the fixture. If you lack these qualifications, do not attempt the installation yourself. Improper installation can result in bodily injury.

Be sure to complete all rigging and installation procedures before connecting the main power cord to the appropriate wall outlet.

Clamp Mounting: The beam spot wash 3-in-1 provides a unique mounting bracket assembly that integrates the bottom of the base, the included “Omega Bracket,” and the safety cable rigging point in one unit (see the illustration below). When mounting this fixture to truss be sure to secure an appropriately rated clamp to the included omega bracket using a M10 screw fitted through the center hole of the “omega bracket”. As an added safety measure be sure to attached at least one properly rated safety cable to the fixture using on of the safety cable rigging point integrated in the base assembly

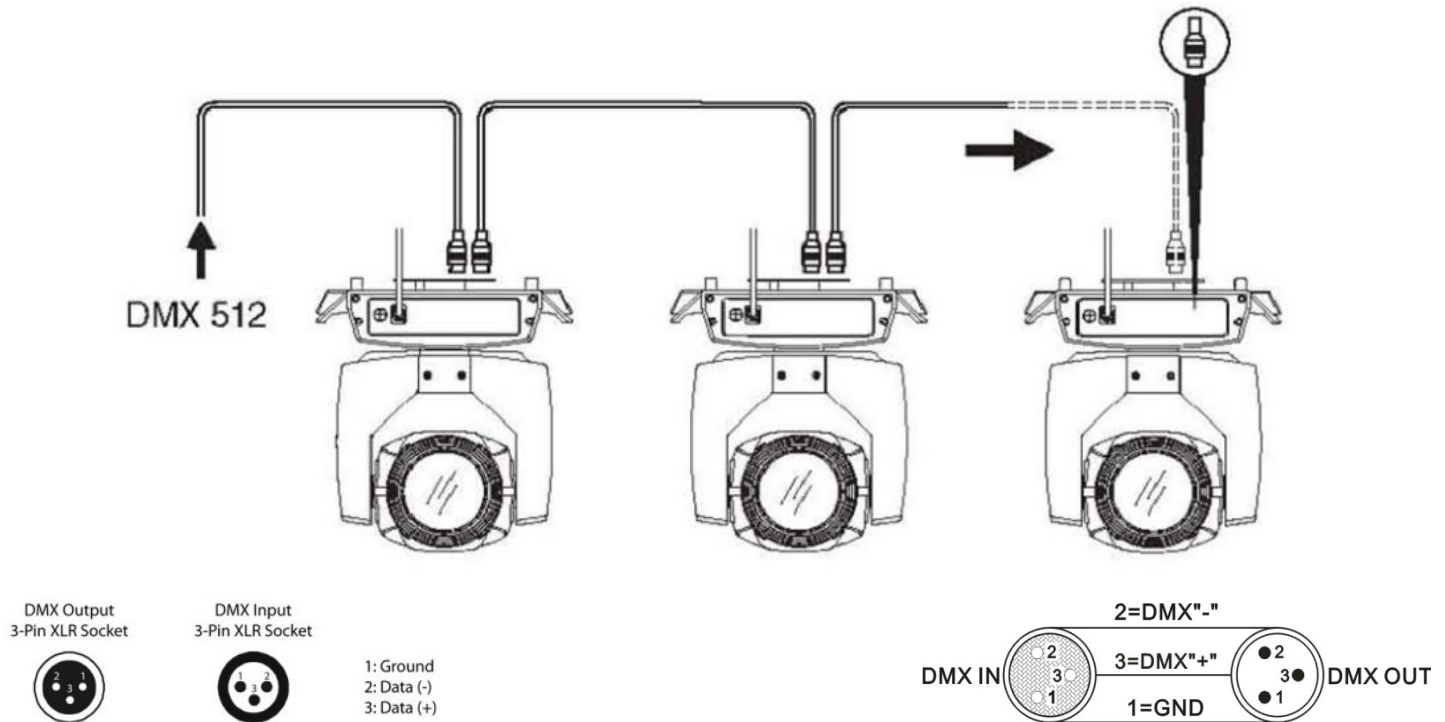


Regardless of the rigging option you choose for your 200W LED spot, always be sure to secure your fixture with a safety cable. The fixture provides a built-in rigging point for a safety cable on the hanging bracket as illustrated above. Be sure to only use the designated rigging point for the safety cable and never secure a safety cable to a carrying handle.

6. DMX-512 control connections

Connect the provided XLR cable to the female 3-pin XLR output of your controller and the other side to the male 3-pin XLR input of the moving head. You can chain multiple Moving heads be connected together through serial linking. The cable needed should be two core, screened cable with XLR input and output connectors. Please refer to the diagram below.

DMX-512 connection with DMX terminator



For installations where the DMX cable has to run a long distance or is in an electrically noisy environment, such as in a discotheque, it is recommended to use a DMX terminator. This helps in preventing corruption of the digital control signal by electrical noise. The DMX terminator is simply an XLR plug with a 120 Ω resistor connected between pins 2 and 3, which is then plugged into the output XLR socket of the last fixture in the chain. Please see illustrations below.

120 Ω

PIN 3
PIN 2

7. Display menu control

	DMX Address	001-512				
	System Setup	Channel mode				
		Invert Pan	<table border="1"> <tr><td>18CH</td></tr> <tr><td>OFF</td></tr> <tr><td>ON</td></tr> </table>	18CH	OFF	ON
18CH						
OFF						
ON						
		Pan-Tilt Swap	<table border="1"> <tr><td>ON</td></tr> <tr><td>OFF</td></tr> </table>	ON	OFF	
ON						
OFF						
MENU						
		Load Default				
	Check	Manual Drive				
		PAN				
		TILT				
		Colour				
		Static Gobo				
		Rotate Gobo				
	Motor Calibration	Gobo Rot	Don't change the data unless it's necessary			
		Prism				
		Frost				
		Zoom				
		Focus				
		MIC				
		Change code				
	System Test					
	System					

8. DMX Channels

18 Channel Mode

CH	Function	DMX Value	Details
1	Pan	0-255	Pan movement
2	Pan fine	0-255	Pan fine
3	Tilt	0-255	Tilt movement
4	Tilt fine	0-255	Tilt fine
5	Pan/Tilt	0-255	Pan/Tilt speed control from fast to slow
6	Dimmer	0-255	Dimmer from dark to bright
7	Strobe	0-3	No function
		4-99	Strobe from slow to fast
		100-149	Pulse strobe from slow to fast
		150-199	Thunder strobe from slow to fast
		200-249	Random strobe from fast to slow
		250-255	Light on
8	Color wheel	0-19	Color 1 linear control
		20-39	Color 2 linear control
		160-179	Color 9 linear control
		180-199	Open linear control
		200-226	Color wheel colockwise rotation from fast to slow
		227-278	No function
229-255	Color wheel anti-clockwise rotation from slow to fast		
9	Static gobo wheel	0-4	Open
		5-54	10 Static gobo(Each 5 DMX value is a gobo)
		55-154	10 static gobo shake effect(Each 10 DMX value is a gobo)
		155-204	Static Gobo wheel colockwise rotation from fast to slow
		205-205	Stop
		206-255	Static Gobo wheel anti-clockwise rotation from slow to fast
10	Rotation gobo wheel	0-9	Open
		10-79	7 Rotation gobo(Each 10DMX value is a gobo)
		80-159	7 Gobo+open shake effect (Each 10 DMX value is a gobo)
		160-206	Gobo wheel clockwise rotation from fast to slow
		207-208	Stop
		209-255	Gobo wheel anti-clockwise rotation from slow to fast
11	Rotaion gobo rotates	0-127	Change position
		128-191	Clockwise continious rotation from fast to slow
		192-255	Anti-Clockwise continious rotation from slow to fast
12	Prism	0-63	No function
		64-127	Prism1
		128-191	Prism2
		192-255	Prism1,Prism2
13	prism rotation	0-127	Change position
		128-190	Clockwise cotinious rotation from fast to slow
		191-192	Stop
		193-255	Anti-colokwise continious rotation from slow to fast
14	prism rotation	0-127	Change position
		128-190	Clockwise cotinious rotation from fast to slow
		191-192	Stop
		193-255	Anti-colokwise continious rotation from slow to fast
15	Focus	0-255	Focus

16	Zoom	0-255	Zoom
17	Marco effect	0-10	No function
		11-15	3M static gobo focus
		16-20	3.5M static gobo focus
		21-25	4M static gobo focus
		26-30	4.5M static gobo focus
		31-35	5M static gobo focus
		36-40	6M static gobo focus
		41-45	7M static gobo focus
		46-50	8M static gobo focus
		51-55	9M static gobo focus
		56-60	10M static gobo focus
		61-65	12M static gobo focus
		66-70	15M static gobo focus
		71-75	3M rotaion gobo focus
		76-80	3.5M rotaion gobo focus
		81-85	4M rotaion gobo focus
		86-90	4.5M rotaion gobo focus
		91-95	5M rotaion gobo focus
		96-100	6M rotaion gobo focus
		101-105	7M rotaion gobo focus
		106-110	8M rotaion gobo focus
		111-115	9M rotaion gobo focus
		116-120	10M rotaion gobo focus
		121-125	12M rotaion gobo focus
		126-130	15M rotaion gobo focus
		131-160	Function of self-check
161-190	Auto1		
191-220	Auto 2		
221-255	Sound		
18	Reset&Macro	0-255	0-250 No function, 251-255 Reset within 5 seconds

10. Photometric Data:

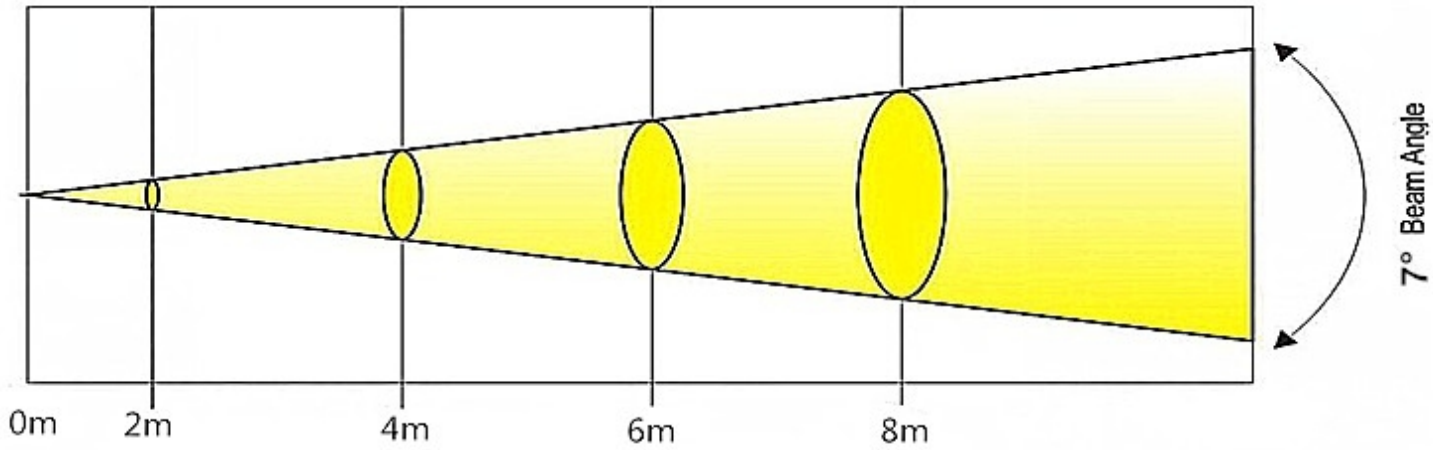
12

LUX Data of 7 degree beam angle:

37800 lux@4m

17400 lux@6m

9750 lux@8m

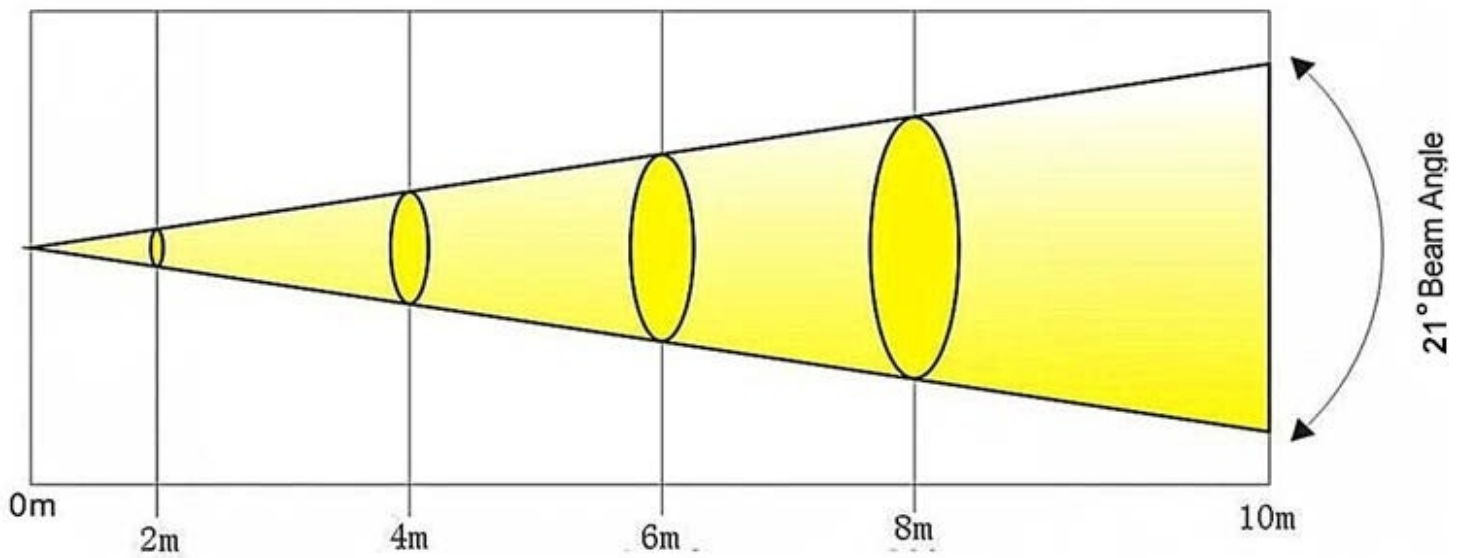


LUX Data of 21 degree beam angle:

4890 lux@4m

2295 lux@6m

1290 lux@8m



The following points have to be considered during the inspection:

1. All screws for installing the devices or parts of the device have to be tightly connected and must not be corroded.
2. There must not be any deformations on the housing, color lenses, fixations and installation spots (ceiling, suspension, trussing).
3. Mechanically moved parts must not show any traces of wearing and must not rotate with unbalances.
4. The electric power supply cables must not show any damage, material fatigue or sediments.

Further instructions depending on the installation spot and usage have to be adhered by a skilled installer and any safety problems have to be removed.

In order to make the lights in good condition and extend the life time, we suggest a regular cleaning to the lights.

- 1) Clean the inside and outside lens each week to avoid the weakness of the lights due to accumulation of dust.
- 2) Clean the fan each week.
- 3) A detailed electric check by approved electrical engineer each three month, make sure that the circuit contacts are in good condition, prevent the poor contact of circuit from overheating.

We recommend a frequent cleaning of the device. Please use a moist, lint- free cloth. Never use alcohol or solvents. There are no serviceable parts inside the device. Please refer to the instructions under "Installation instructions". Should you need any spare parts, please order genuine parts from your local dealer